



Pressalit VersaMini Product Details

Features:

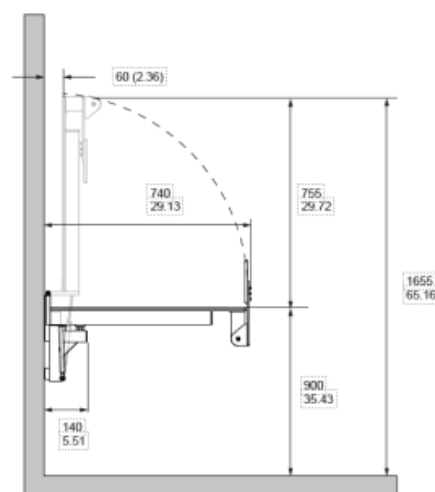
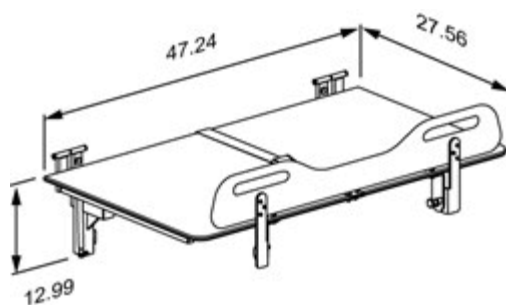
Fixed height, folding, wall-mounted changing table.

Designed specifically for public restrooms.

Sturdy, easy-to-clean composite laminate table top.

Tamper/vandal resistant. No removable parts.

Optional comfortable mattress available.



(Click image to enlarge.)

Dimensions:

Overall: 29" wide x 43" long

Table surface: 27.6" x 47.2"

Projection from wall:

Folded: 5.5"

Unfolded: 29.13"

[VersaMini Installation Drawing](#)

Use a licensed contractor or plumber to install the product to avoid personal injury or property damage.

[CAD Drawing — Pressalit VersaMini](#)

[VersaMini Restroom Changing Table User Manual](#)

SKU: R8455512000

EAN: 5708590376585

Submittal Info
Spec Sheet
(pdf)

Construction:	<p>Powder lacquered stainless steel. Plastics (PVC, Polystyrene). Compact laminate. Designed for easy clean-up. Stain resistant construction. Tamper/vandal resistant:</p> <ul style="list-style-type: none">No removable parts.No exposed cables.Secure fittings. <p>Includes side rail, safety belt.</p>
Installation:	<p>Retrofit friendly. Anchors to wood blocking, masonry or concrete. Mounting hardware included.</p>
Safety Side Rail:	<p>Folds up or down. Easy one-handed operation. Stores and locks under the table. Flexible vinyl wraps comfortably but securely. Plastic buckle — no metal parts against bare skin. All components are smooth and easy to clean.</p>
Weight Capacity:	330 lbs
Product Weight:	59.52 lbs

Availability: Sold throughout the United States

Delivery: 1-2 weeks

Discount: Product price and shipping discount when purchasing multiple units.
Call for details. 800.577.1555

Warranty: Five years limited warranty on parts; one year on labor.
[See our complete warranty and other policies here.](#)

Subject to change. Updated Aug 2022.

Access Your World

MAX-Ability offers complete restroom solutions that provide comfort, safety, and dignity to wheelchair users and caregivers, including ergonomic adjustable changing tables, sinks, toilets, and shower seats for total accommodation for everyone. Call us today and access your world!

1.800.577.1555



Customer Service

Purchasing & Payment Methods

Delivery / Returns / Warranty

Privacy Policy

Terms and Conditions

Resources

[Product Manuals](#)

[Installation Drawings](#)

[Internet Resources](#)

[Architects Resources \(inc. Specs/CAD\)](#)

Connect with us



All rights reserved. Copyright 2023 © **MAX-Ability, Inc.**

MAX-Ability provides special needs equipment to consumers and businesses in the USA and Canada